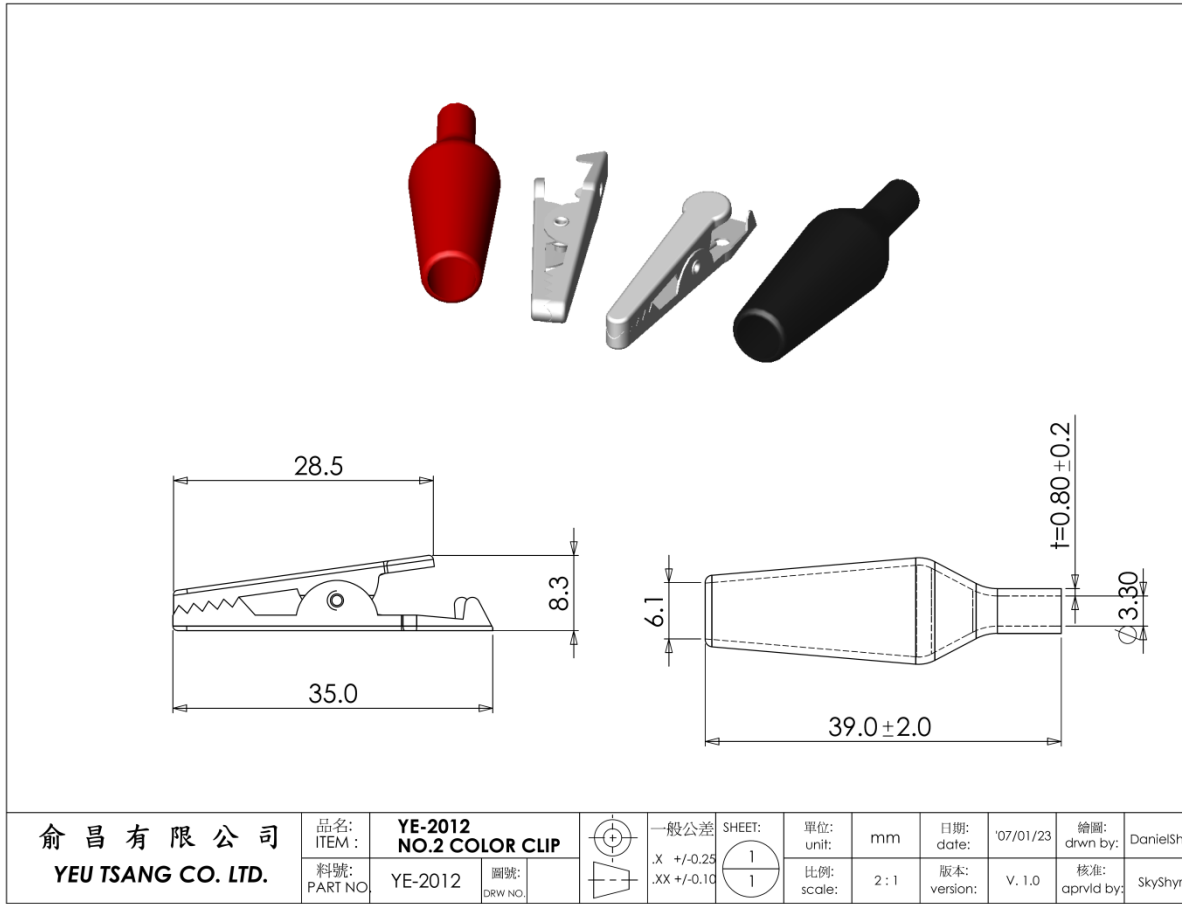


# YE-2012 NO.2 COLOR CLIP



## MATERIALS :

1. MAIN BODY :  
STEEL NICKEL PTD.
2. SHELL COVER :  
PVC
3. SPRING:  
STEEL NICKEL PLATED

俞昌有限公司 YEU TSANG CO. LTD.	品名: ITEM:	YE-2012 NO.2 COLOR CLIP		一般公差 .X +/-0.25 .XX +/-0.10	SHEET: 1 1	單位: unit:	mm	日期: date:	'07/01/23	繪圖: drwn by:	DanielShyr
	料號: PART NO.	YE-2012	圖號: DRW NO.				比例: scale:	2 : 1	版本: version:	V. 1.0	核准: apprvd by: